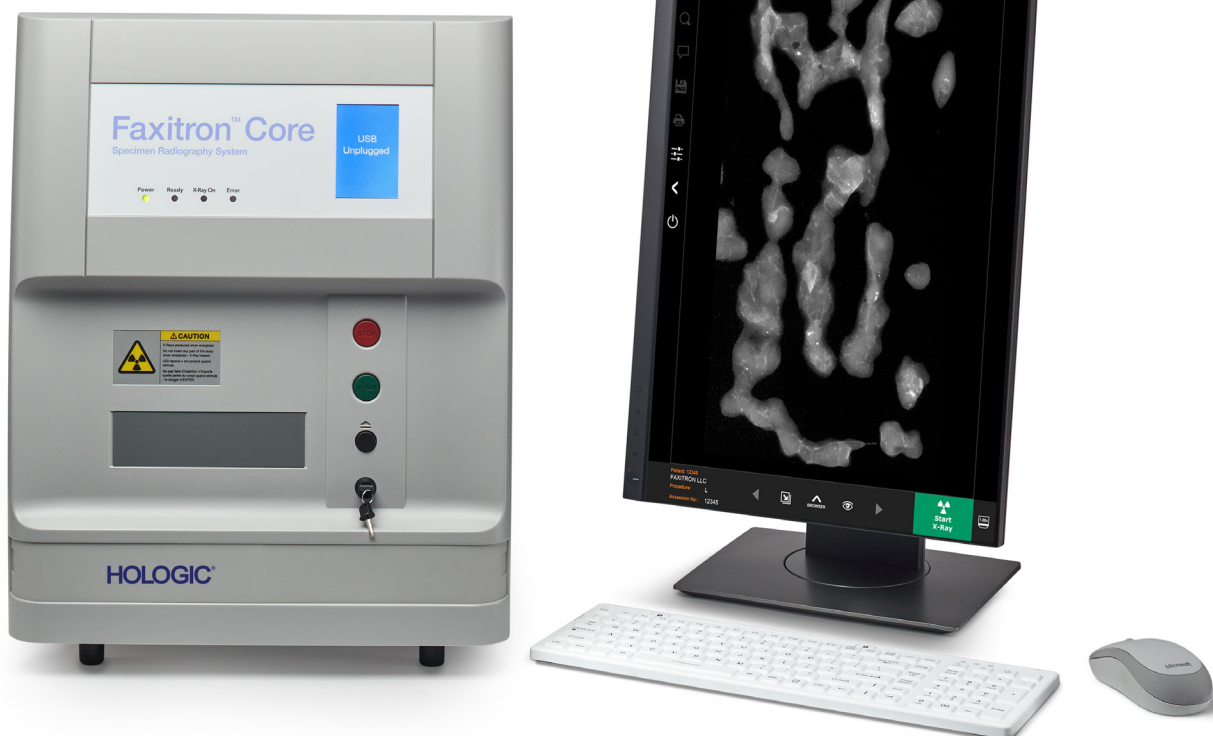


Faxitron® Core

Specimen Radiography System

Immediate core sample verifications.

The compact unit can be located directly in the stereotactic suite, only steps from the table. With one touch of a button, a successful biopsy procedure is confirmed. Images can be instantly sent to multiple destinations without interrupting the mammography workflow.



Faxitron® Core System also known as CoreVision® System.

Faxitron® Core
Specimen Radiography System



Optimization

Experience easy core alignment with the built-in drawer that accommodates a variety of core containers.



Workflow improvement

Located directly in the stereotactic suite. This self-contained, compact unit allows for optimal placement without impacting the point of care environment.



Automatic calibration

At a touch of a button, improve core specimen imaging with autocalibration. This easy to use Faxitron® Core system requires no additional training or specialization.

Technical specifications

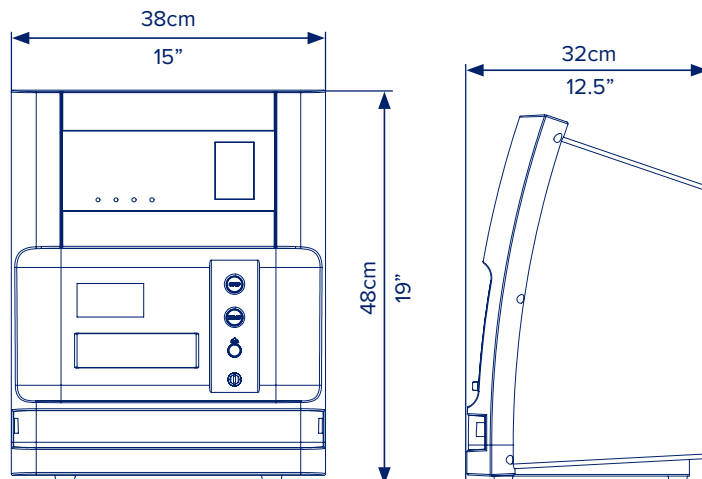
| Electrical Requirements | |
|-------------------------|---|
| Input Line Voltage | 100-240VAC |
| Peak Input Power | 150W max |
| Frequency | 50/60Hz |
| Line connection | Standard line cord and plug - medical grade |

| Physical | |
|---|--|
| External Dimensions | 38x32x48cm (15x12.5x19in) WxDxH nominal |
| Chamber Dimensions | 12.8x10.1x3.2cm (5.04x3.96x1.26in) WxDxH |
| Weight | 18kg (40lbs) |
| Total footprint with computer, mouse and keyboard | 68x61cm (27x24in) |

| Digital Image Receptor | |
|-----------------------------|--|
| Detector Technology | CMOS |
| X-ray Absorption Material | Micro-columnar CsI (Cesium Iodide) |
| Active Imaging Area Size | 5x10cm (2x4in) |
| Specimen Area Size | 3x7cm (1.18x2.76in) fixed x1.4 geo-mag level |
| Pixel Size | 48µm |
| Limiting Spatial Resolution | 14lp/mm with fixed 1.4X geometric mag |
| Output Image | 14-bit image data |

| Acquisition Workstation | |
|-------------------------|--|
| CPU | Intel® Core™ i5-8500 (6 Cores) |
| Memory | 8GB RAM |
| Hard Disk | 6.35cm (2.5in) 500GB 5400rpm SATA solid state hybrid drive |
| Storage Media Interface | Media Interface 512Gb solid state drive |
| Display Monitor | 61cm (24in) High resolution 3.7MP monitor included |
| Operating System | Windows 10 (64 bit) |
| Network Connection | Integrated Intel I219-LM Ethernet LAN 10/100/1000 |
| DICOM Services | Store, print, annotate and modality worklist capabilities |
| User Interface | Mouse and keyboard |

| Image Display | |
|------------------|---|
| Image Processing | Optimized display of core specimens, preset and manual window/level, invert |
| Magnification | 1.4 fixed magnification |
| Annotations | Ellipse, arrow, ruler, text box, comments |
| Multi-up | 1, 2, 3 or 4 up display |



| X-ray Source | |
|-----------------|---------------------------|
| Energy Range | 20-30kV |
| Anode Material | Tungsten (W) |
| Tube Current | 0.35mA |
| Exposure | Up to 10mAs |
| Focal Spot Size | <50µm |
| X-ray Window | 0.2mm (0.008in) Beryllium |

| Exposure Modes | |
|----------------|--------------------------------------|
| Manual | User selects time and kV |
| Auto | System determines optimum kV and mAs |

| Cabinet | |
|---------------------------|---|
| Safety Features | Physical key, door equipped with dual safety interlocks, fully shielded |
| Indicators | Power, door closed, ready, x-ray on, audible tone during X-rays |
| Emergency Stop | Available |
| Radiation Emission Limits | Less than 0.1 mR/hr at 5cm (2in) from exterior surface at maximum kV |



Hologic BV, Da Vincilaan 5, 1930 Zaventem, Belgium.

Breast & Skeletal Health | Hologic.com | euinfo@hologic.com

DS-10213-EUR-EN Rev. 001 ©2023 Hologic Inc. All rights reserved. Hologic, The Science of Sure, Faxitron, CoreVision and associated logos are trademarks and/or registered trademarks of Hologic, Inc., and/or its subsidiaries in the United States and/or other countries. This information is intended for medical professionals and is not intended as a product solicitation or promotion where such activities are prohibited. Because Hologic materials are distributed through websites, eBroadcasts and tradeshow, it is not always possible to control where such materials appear. For specific information on what products are available for sale in a particular country, please contact your local Hologic representative or write to euinfo@hologic.com.

Faxitron[®] Core
Specimen Radiography System