



Adds flexibility to both routine and special staining procedures.



Customizable

- Has programmable and editable staining protocols and 22 reagent stain stations.



Functional Display

- A 20-character-wide x 8-line, alpha-numeric, passive LCD display for a user-friendly operator interface.



Pre-programmed

- Comes ready with the ThinPrep® stain protocol for customer convenience.

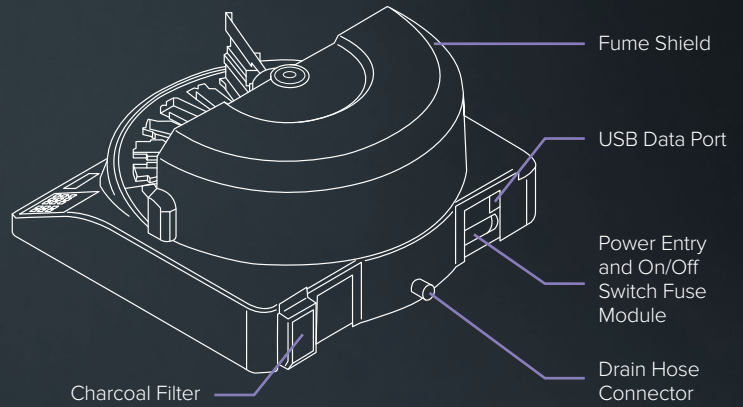
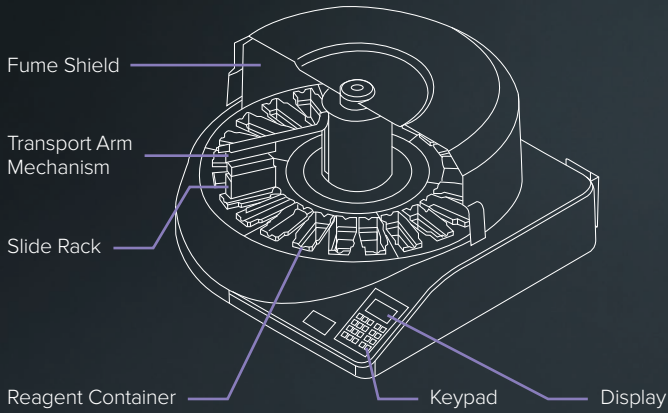


Parallel and Versatile Processing

- Able to run up to 4 racks of 20 to 30 slides.
- Compatible with 20- or 30-count slide racks.

Compass™
STAINER

Major functional areas of the Compass Stainer



Compass Stainer Specifications



| | |
|----------------|---|
| Weight | 55 lbs/25 kg |
| Specifications | 24 stations 1 load, 1 unload, 22 reagent stations 350 – 360 mL bath Accepts Sakura and Leica Slide Racks |